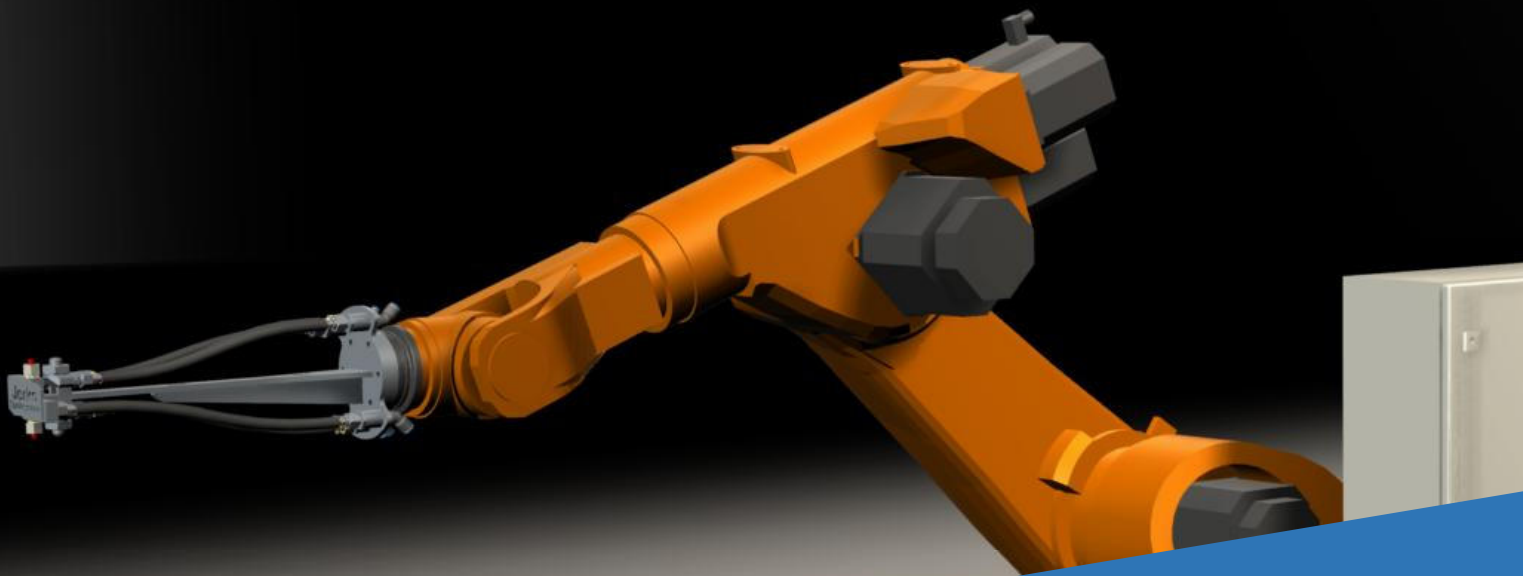


www.jerko-kempen.de

SPRAY ROBOTS



jerko
Sprühsysteme



MAXIMUM FLEXIBILITY UNIQUE OPERATION CONCEPT

This is what we offer

Jerko spray robots provide a maximum degree of flexibility. The free configuration of movements combined with a proportional volume control during the movement ensure an efficient spraying process.

Even points which are difficult to access can be precisely sprayed when using the robot and our unique spray heads.

The robot is equipped with an up-to-date communication function and all safety features so that it can be perfectly integrated into existing forging lines.

You are sceptical about the programming effort?

The user interface developed by Jerko allows to learn the programming steps within a few hours. The sequence of motions can be programmed using simple touch buttons and entering the rates. The intelligent Jerko control takes over the rest.

Extensive and cost-intensive training and programming effort are now a thing of the past!

The advantages — an overview

- All common robot manufacturers
- Standalone user interface
- No training at the robot manufacturer's premises
- Flexible spraying movements
- Low-maintenance
- Designed, built and safe according to Machinery Directive 2006/42/EC

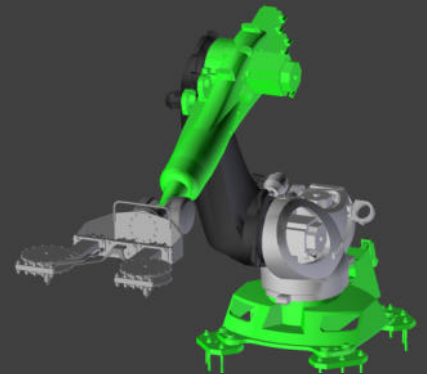
Sizes

From the smallest to the largest robot — do not hesitate to contact us for advice and support to select the optimum spray tool.

Project examples

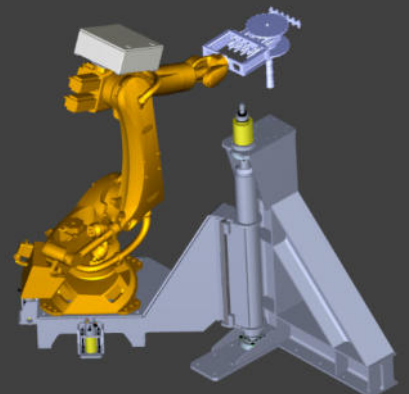
Plate spray head

Robot: KUKA KR210
Number of spray circuits: 6
Control: Jerko interface
Special features: automatic identification of the spray tools



Combined spray head

Robot: KUKA KR90
Number of spray circuits: 8
Control: Jerko interface
Special features: proportional volume control
Lift and swivel unit





www.jerko-kempen.de

**BENEFIT FROM THE COMPETITIVE
ADVANTAGE OF THE TECHNOLOGY
LEADER**

JERKO — your goal, our challenge

info@jerko-kempen.de

+49 2152 9103 0