

www.jerko-kempen.de

MANIPULATORS



jerko
Sprühsysteme



MAXIMUM SPEED AND HIGH LOAD CAPACITY

This is what we offer

Jerko high-speed manipulators have been designed for extremely rough environmental influences. The enclosed design prevents dirt ingress to almost 100 % while at the same time providing high load capacities.

Driven by a powerful servomotor and a low-maintenance toothed belt drive, extreme acceleration is possible.

This simple and brilliant design allows to integrate the manipulator into all forging lines.

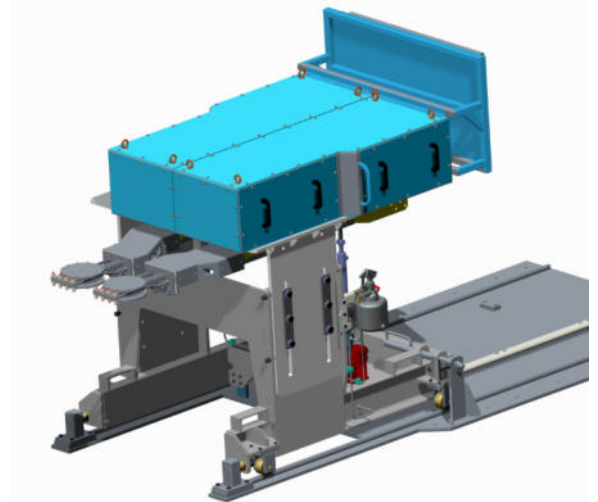
Most diverse spray tools can be used to fulfil any tasks.

The modular manipulators can be equipped with several independent axes. This design saves money and increases the productivity of your forging line!

In addition, many options can be configured to comply with all requirements.

The advantages — an overview

- Fastest manipulator on the market!
- Maximum load capacity
- Availability > 99 %
- Compact design
- Low-maintenance
- Modular design for several axes
- Designed, built and safe according to Machinery Directive 2006/42/EC



Technical data

BG1

Stroke:	800 mm – 1600 mm
V_{\max} :	3 m/s
a_{\max} :	15 m/s ²
m_{\max} :	75 kg
t_{\min} at 1000 mm stroke:	< 600 ms

BG2

Stroke:	800 mm – 1600 mm
V_{\max} :	3 m/s
a_{\max} :	15 m/s ²
m_{\max} :	200 kg
t_{\min} at 1000 mm stroke:	600 ms

BG3

Stroke:	800 mm – 1600 mm
V_{\max} :	2.2 m/s
a_{\max} :	12 m/s ²
m_{\max} :	300 kg
t_{\min} at 1000 mm stroke:	800 ms



www.jerko-kempen.de

**BENEFIT FROM THE COMPETITIVE
ADVANTAGE OF THE TECHNOLOGY
LEADER**

JERKO — Spray technology for smooth running. Always.

info@jerko-kempen.de

+49 2152 9103 0